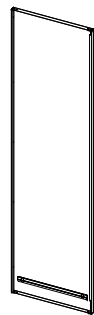
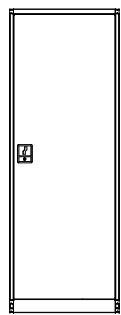


Left Side:1Pc



Right Side:1Pc

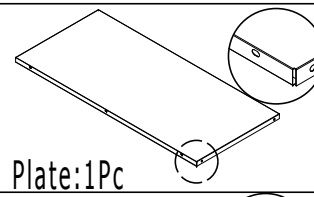


Door Frame:1Pc

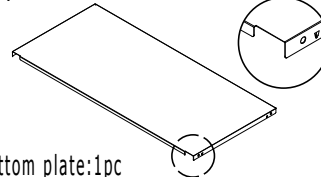


Back Plate:1Pc

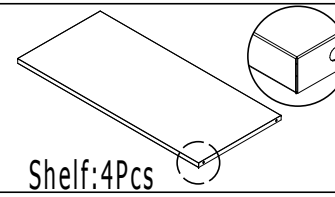
Top Plate:1Pc



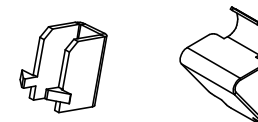
Bottom plate:1pc



Shelf:4Pcs



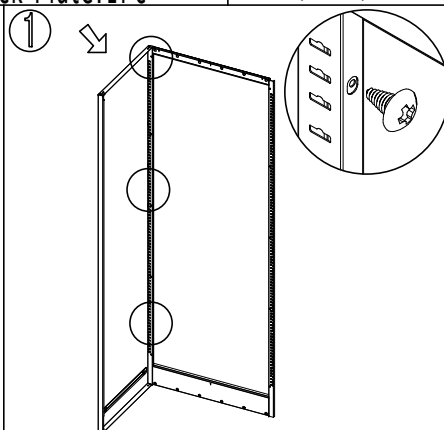
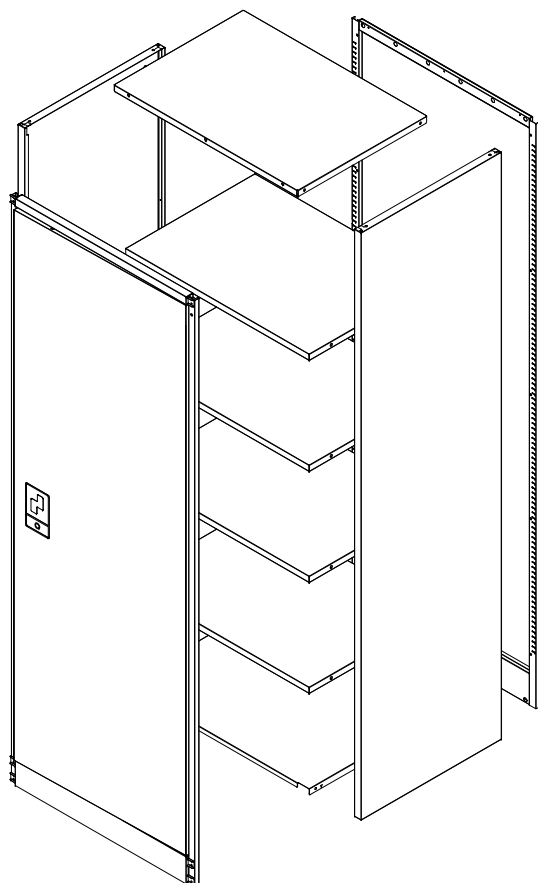
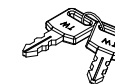
Shelf Holder:16pcs



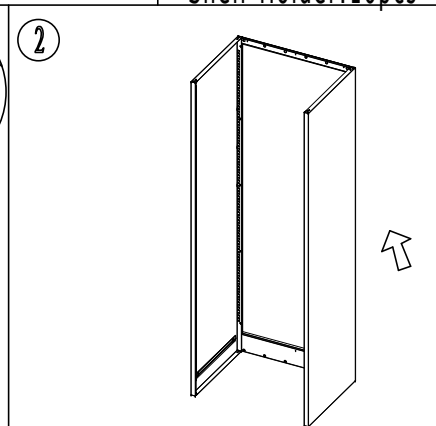
Self-tapping
Screw(5x12):12Pcs



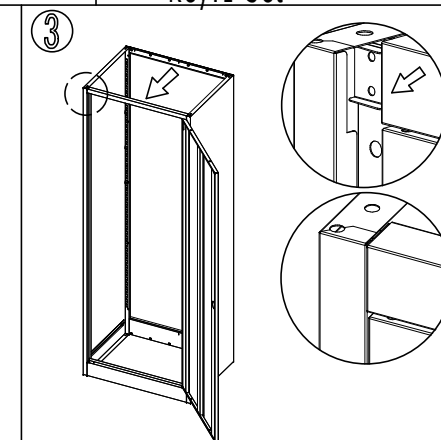
Key:1 Set



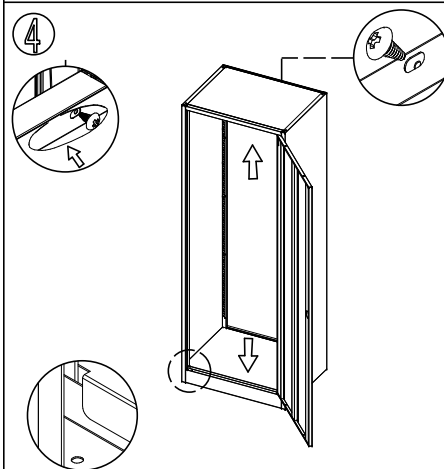
Bolt the left side and back plate with self-tapping screws(5x12)



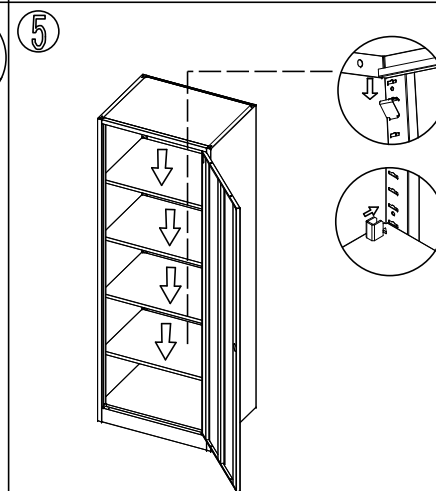
Bolt the right plate and back plate in the same way as the first step



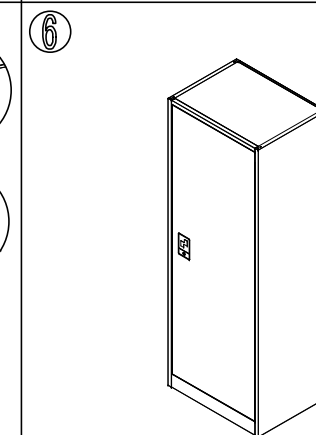
Fix the door frame onto both of the side plates



Install the top and bottom plate respectively



Install the shelves.



Adjust each parts till fit well after installation